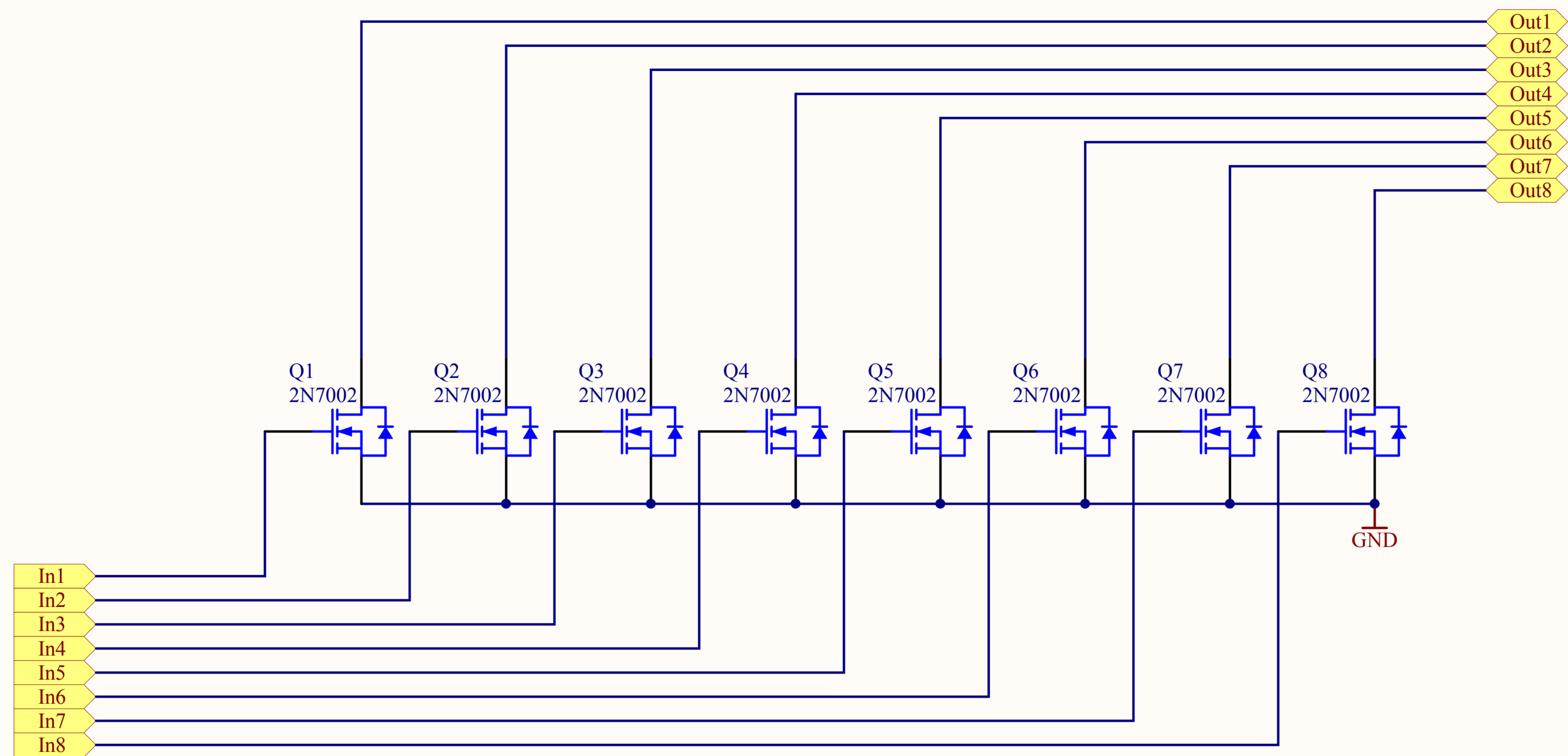


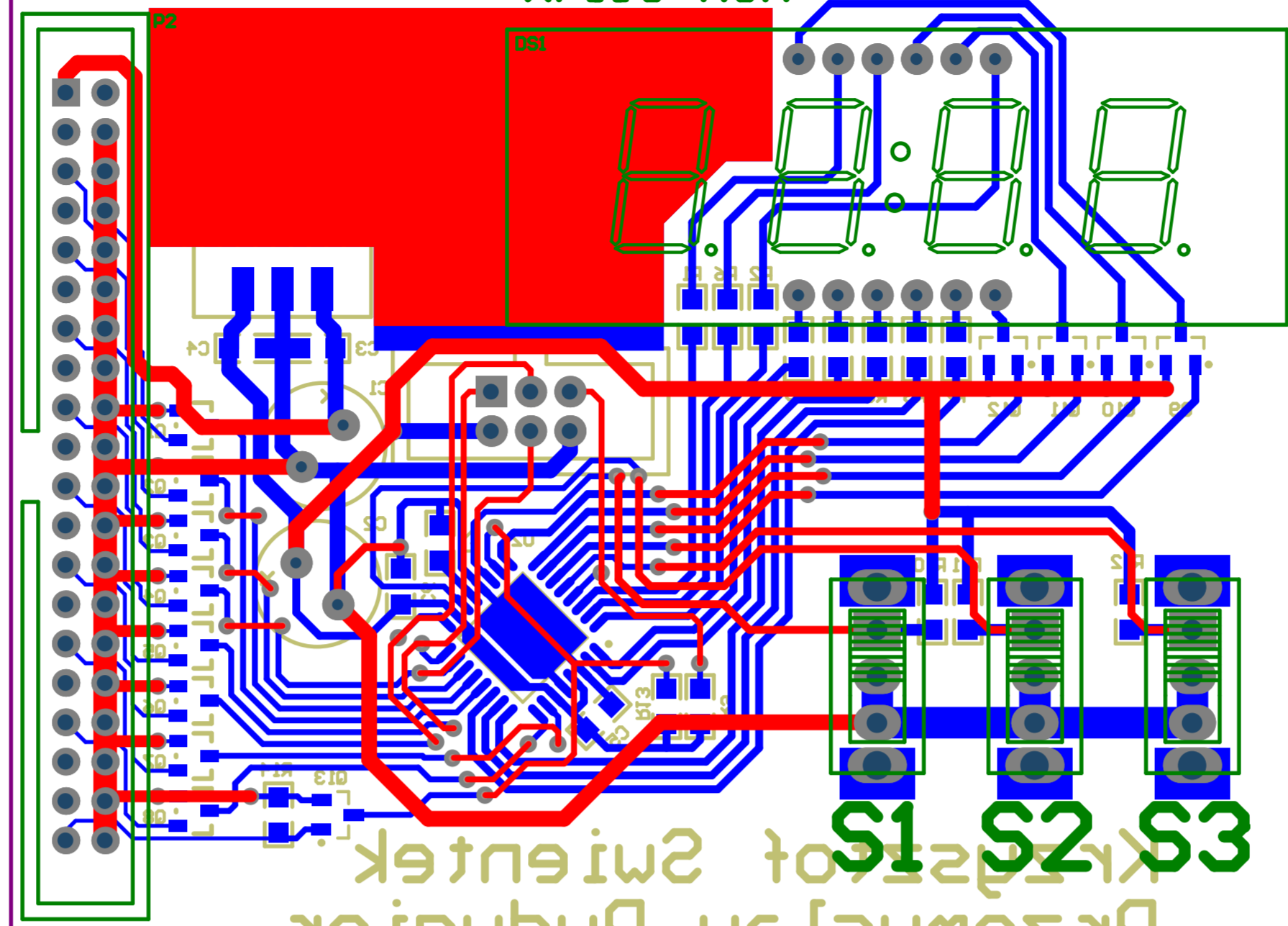
Title		
Size	Number	Revision
A4		
Date:	2011-05-20	Sheet of
File:	C:\Documents and Settings\...\7-segment LED Drawn by	LEDRawDoc.SchDoc



Title		
Size	Number	Revision
A4		
Date:	2011-05-20	Sheet of
File:	C:\Documents and Settings\...\PDTC_pack\SRD.doc	

# Wyswietlacze 7-segmentowe

WFiIS AGH



szpon Kulis  
Przewyśław Terlecki  
Przewyśław Rypudziej  
Krzysztof Swintek

S1 S2 S3