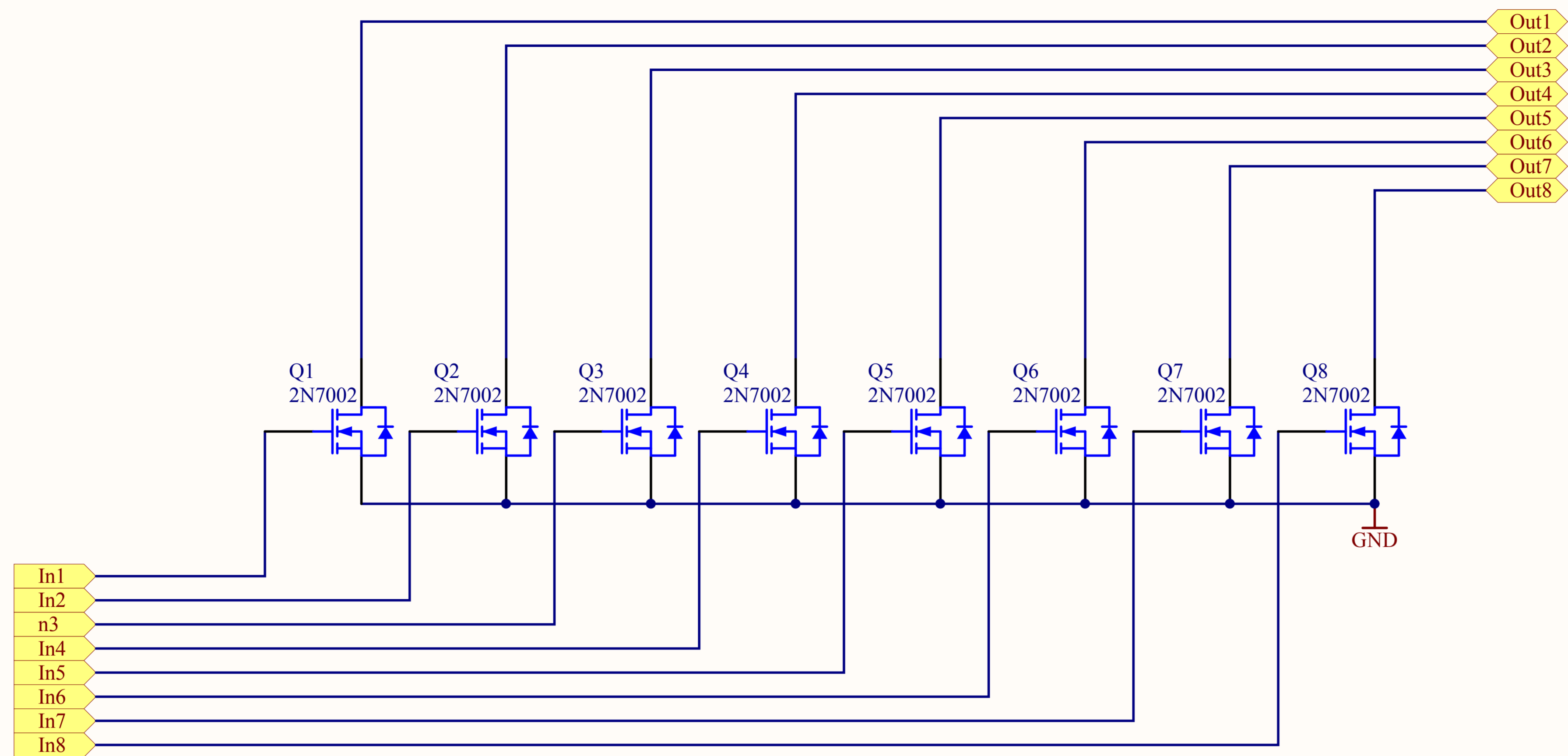


Title		
Size	Number	Revision
A4		
Date:	2011-02-21	Sheet of
File:	C:\Documents and Settings\...\7-segment_LED\Drawn\7-segment_LED\Drawn\7-segment_LED\Drawn\7-segment_LED.SchDoc	



Title		
Size	Number	Revision
A4		
Date:	2011-02-21	Sheet of
File:	C:\Documents and Settings\...\PDTC_pack\SRD.doc	