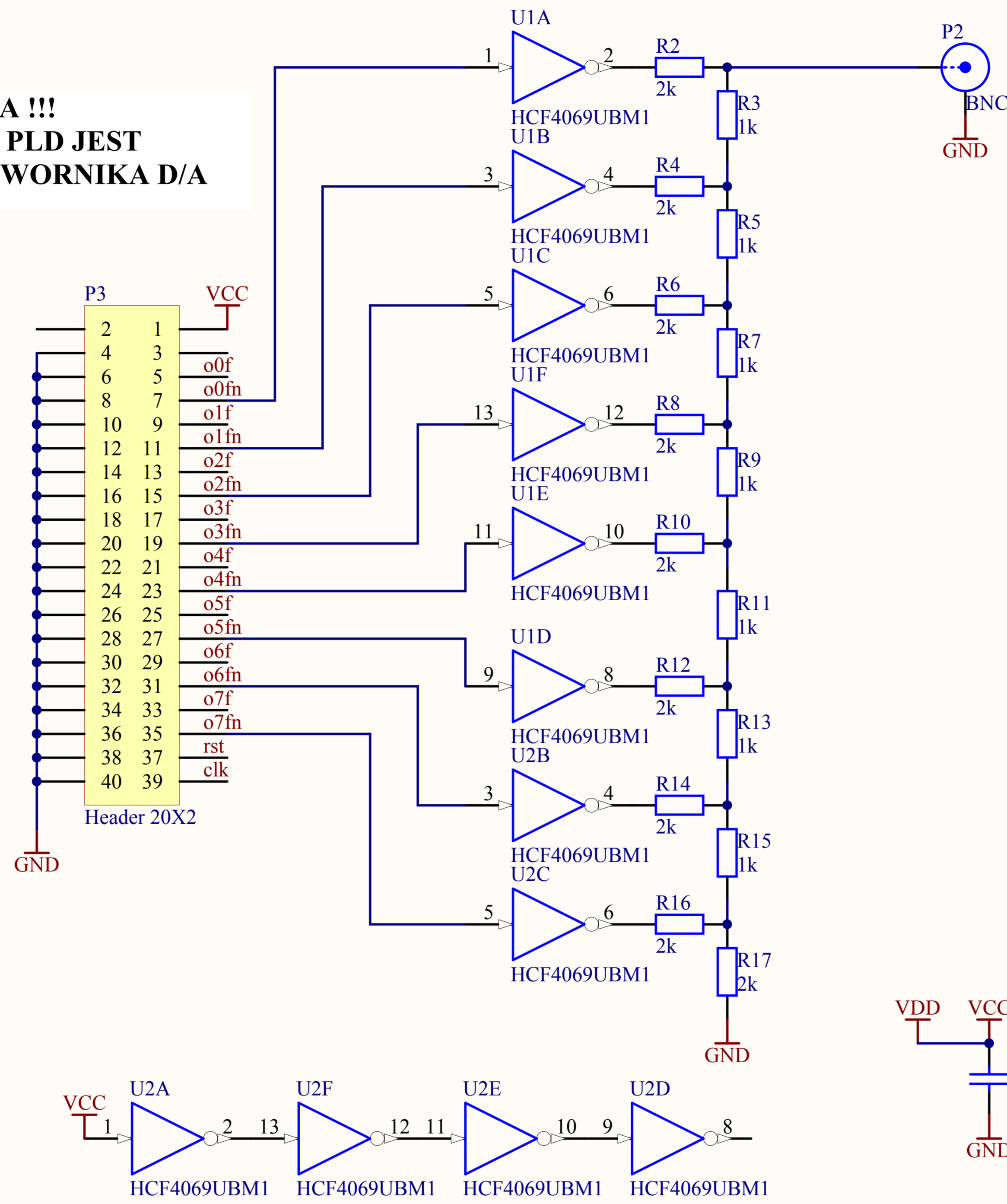


**UWAGA !!!
 WYJŚCIE O1 Z PLD JEST
 BITEM MSB PRZETWORNIKA D/A**



Title		
Size	Number	Revision
A4		
Date:	2011-05-20	Sheet of
File:	C:\Documents and Settings\...\DAC_R2R.Sch	Drawn By:

Drabinka R-2R

WFiIS AGH

